

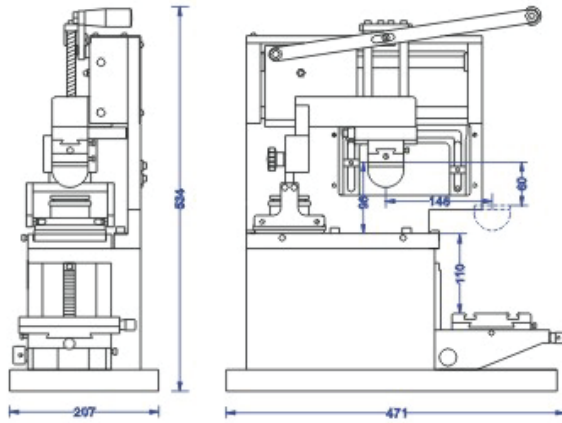


# CHEMOSOL (PTY) LTD

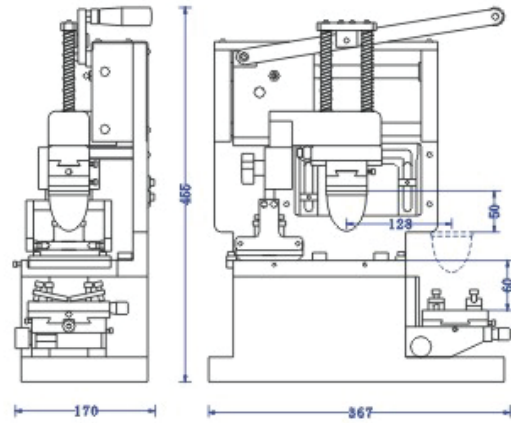
Screen · Pad · Laser · Digital · Sublimation · Equipment + Supplies

## FUNCTION

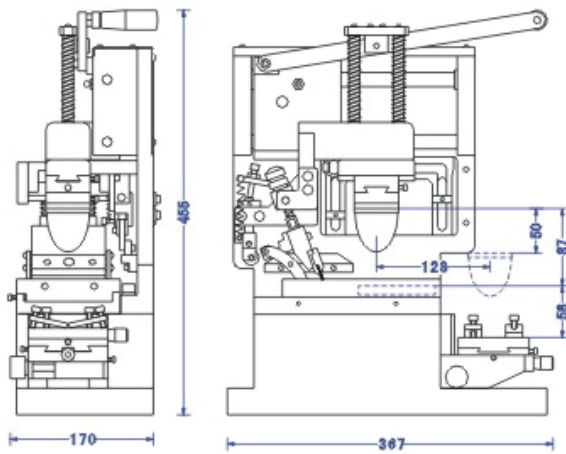
### TIC-175H



### TIC-176H



### TIC-177H



## SPECIFICATIONS

MODEL	型号	TIC175H	TIC176H	TIC177H
Color	印刷颜色	Single Color 单色, Manual operation by single hand 单手操作		
Steel plate size	钢板尺寸	100x250mm	100x200mm	100x100mm
Ink cup size	可装油盘直径	∅ 90mm	∅ 70mm	
Machine dimension	机身尺寸	471x207x534mm	367x170x455mm	367x170x455mm
Packing dimension	包装尺寸	640x390x530mm	450x245x490mm	450x245x490mm
Weight	机身重量	26kg	22kg	22kg

For standard configuration